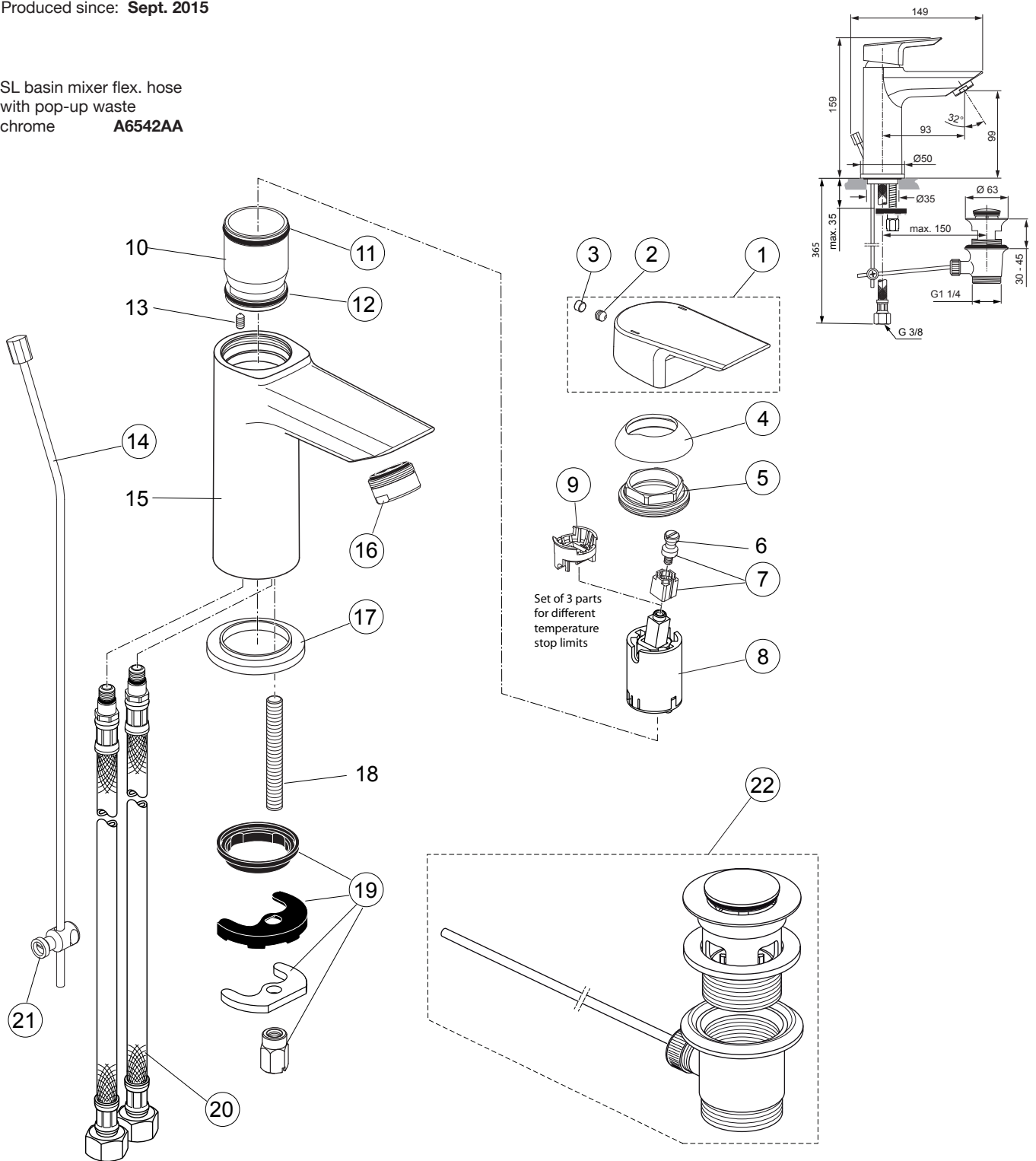


Produced since: **Sept. 2015**

SL basin mixer flex. hose  
with pop-up waste  
chrome **A6542AA**



Pos.	Description	Part-Number	Qty.	Pos.	Description	Part-Number	Qty.
1	Lever compl. with Logo ISI	<b>A 861 018 AA</b>	1 Set	13	Thread pin M4 x 8 ISO 4027		
2	Thread pin M5x6 DIN914	<b>A 860 603 NU</b>	1 pcs	14	Lift rod cpl. + Pos. 21	<b>B 961 119 AA</b>	1 Set
3	Handle plug	<b>A 963 751 NU</b>	1 pcs	15	Body		
4	Cover cap	<b>F 960 975 AA</b>	1 pcs	16	Aerator M24x1 - 5ltr/min	<b>B 960 754 AA</b>	1 pcs
5	Thread ring M36x1	<b>B 961 087 NU</b>	1 pcs	17	Escutcheon	<b>B 960 712 AA</b>	1 pcs
6	Handle srew M4			18	Bolt M8x63		
7	Lever adapter + screw	<b>A 860 892 NU</b>	1 Set	19	Fixation kit	<b>A 964 520 NU</b>	1 Set
8	Cartridge Kerox Ø28 + Pos.7	<b>F 960 855 NU</b>	1 Set	20	Flex. hose M10x1-G3/8-450	<b>A 963 600 NU</b>	1 pcs
9	Hot water limiter - 3 parts	<b>B 961 088 NU</b>	1 Set	21	Bracket	<b>A 961 172 NU</b>	1 pcs
10	Manifold			22	Pop-up waste complete	<b>A 962 991 AA</b>	1 Set
11	O - Ring Ø 28 x 2	<b>A 963 299 NU</b>	1 pcs				
12	O - Ring Ø 26,7 x 1,78	<b>A 962 825 NU</b>	1 pcs				