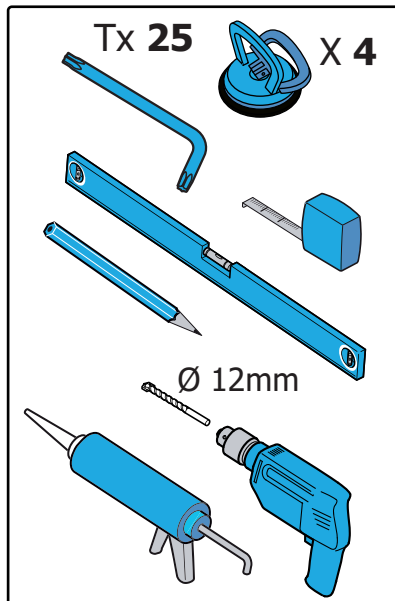
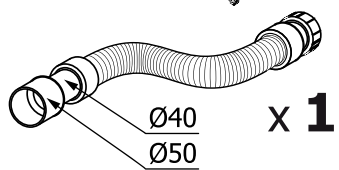
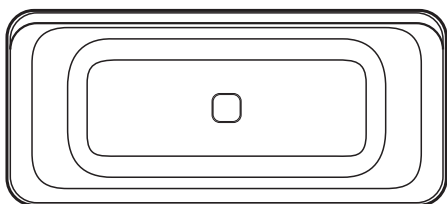
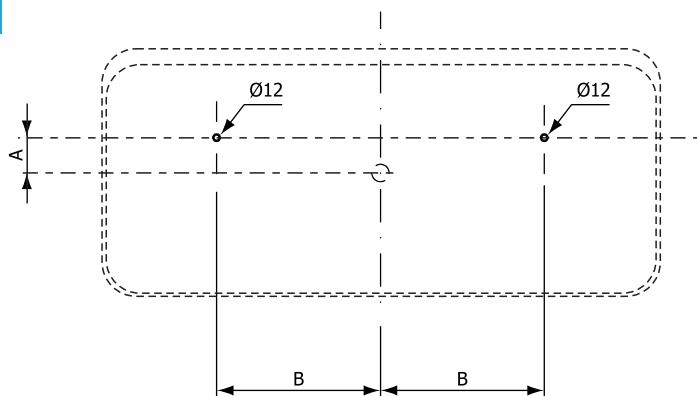


1

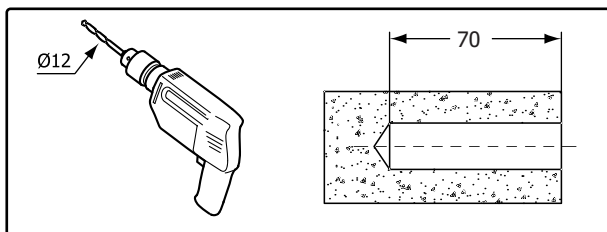
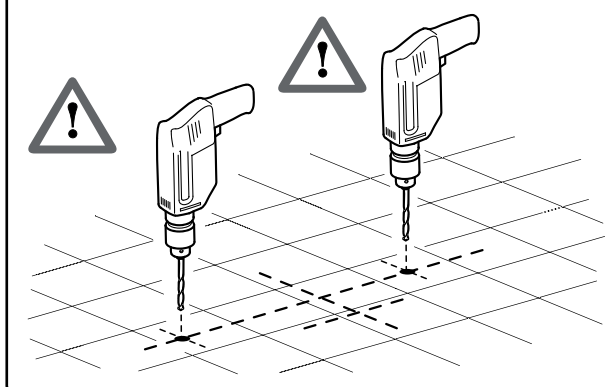
IMBALLO - COMPONENTS - EMBALLAGE - VERPACKUNG - EMBALAJE  
 VERPAKKING - ΣΥΣΚΕΥΑΣΙΑΣ - УПАКОВОК - EMBALAŽE - PAKIRANJA



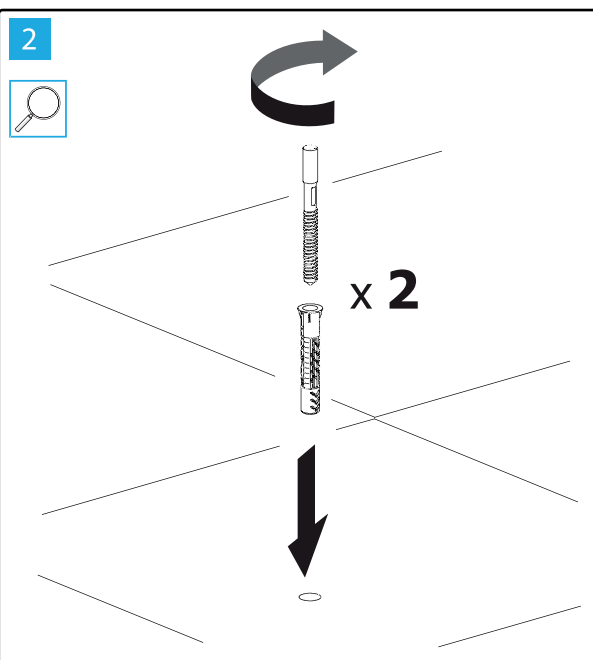
1



Tonic II Freestanding	A	B
180x80	165	650



2



2

